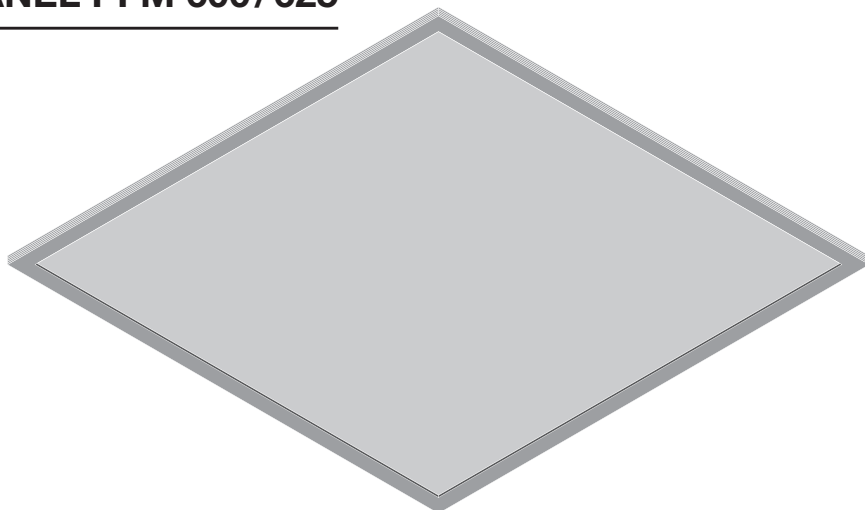
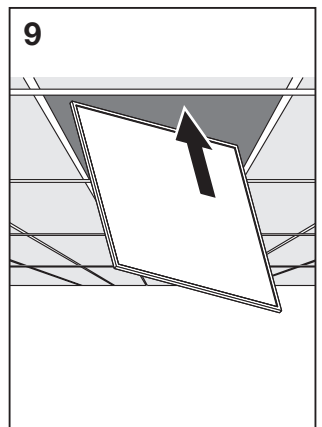
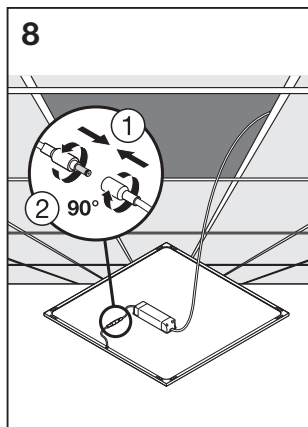
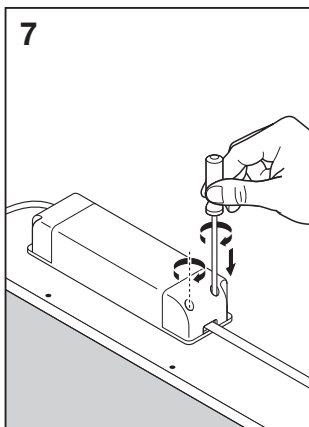
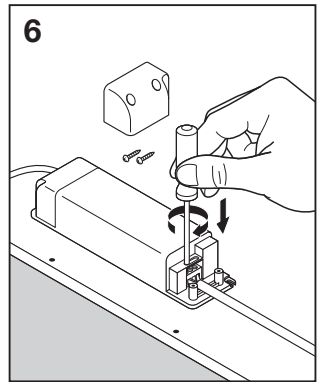
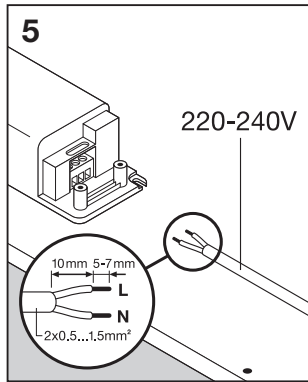
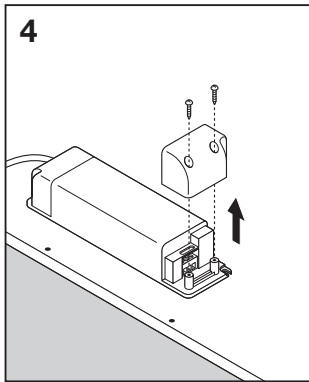
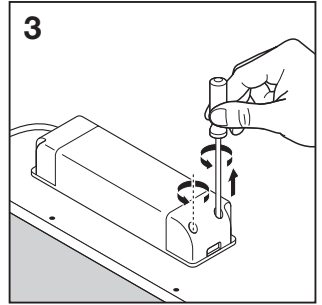
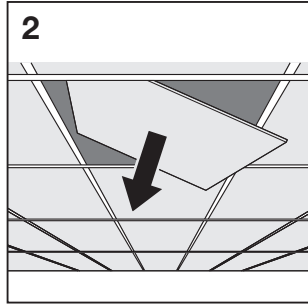
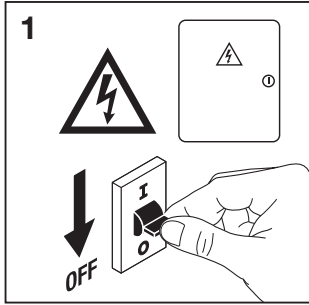
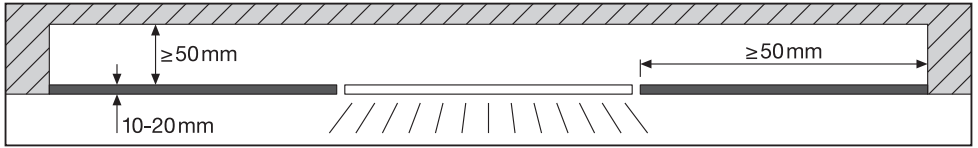


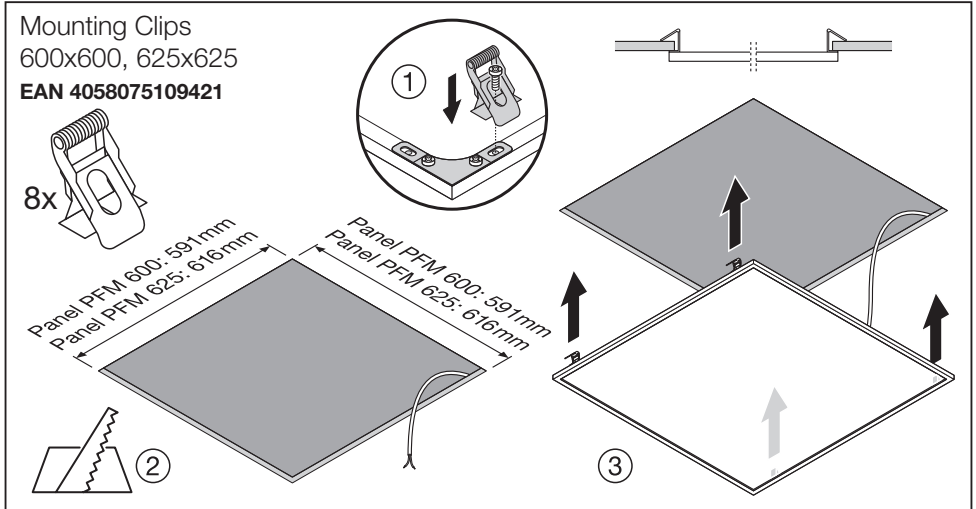
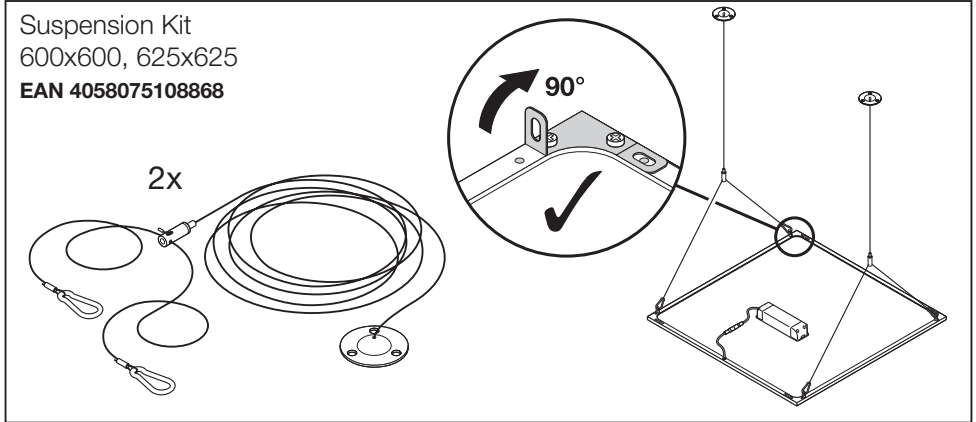
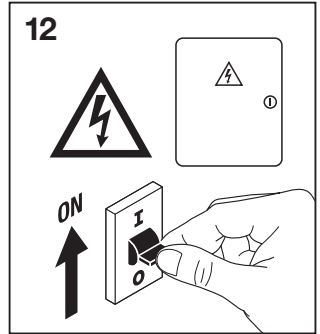
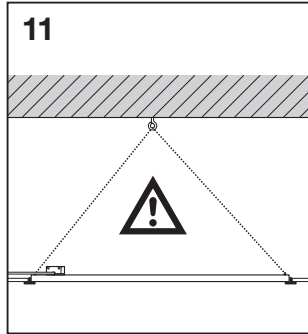
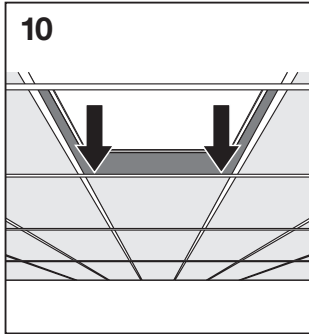
## PANEL PFM 600 / 625



	EAN	l x w x h [mm]	W	lm	lm/W	K	IP	IK
PL PFM 600 30W/3000K	4058075225152	595 x 595 x 9	30	3000	100	3000	20	03
PL PFM 600 33W/4000K	4058075225176	595 x 595 x 9	30	3000	100	4000	20	03
PL PFM 600 40W/3000K	4058075225190	595 x 595 x 9	40	4000	100	3000	20	03
PL PFM 600 40W/4000K	4058075225213	595 x 595 x 9	40	4000	100	4000	20	03
PL PFM 600 33W/3000K UGR19	4058075225237	595 x 595 x 9	33	3100	95	3000	20	03
PL PFM 600 33W/3000K UGR19	4058075225251	595 x 595 x 9	33	3600	110	4000	20	03
PL PFM 625 30W/3000K	4058075225275	620 x 620 x 9	30	4320	100	3000	20	03
PL PFM 625 30W/4000K	4058075225299	620 x 620 x 9	30	4320	100	4000	20	03
PL PFM 625 40W/3000K	4058075225312	620 x 620 x 9	40	4320	100	3000	20	03
PL PFM 625 40W/4000K	4058075225336	620 x 620 x 9	40	4320	100	4000	20	03
PL PFM 625 33W/3000K UGR19	4058075225350	620 x 620 x 9	33	3100	95	3000	20	03
PL PFM 625 33W/4000K UGR19	4058075225374	620 x 620 x 9	33	3600	110	4000	20	03

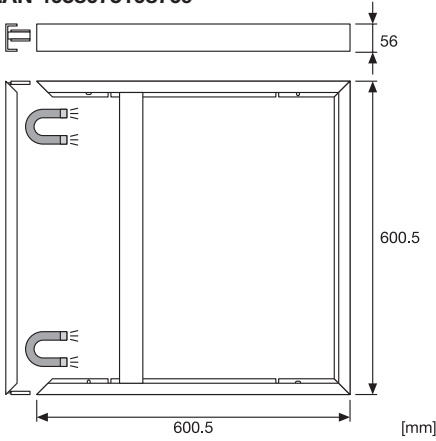
	EAN	temp (°C)	V <sub>AC</sub>	Hz	∠	PF	R <sub>a</sub>	⚖️
PL PFM 600 30W/3000K	4058075225152	-10...+45	220-240 V	50/60 Hz	120°	≥0.95	≥80	2.0 kg
PL PFM 600 33W/4000K	4058075225176	-10...+45	220-240 V	50/60 Hz	120°	≥0.95	≥80	2.0 kg
PL PFM 600 40W/3000K	4058075225190	-10...+45	220-240 V	50/60 Hz	120°	≥0.95	≥80	2.0 kg
PL PFM 600 40W/4000K	4058075225213	-10...+45	220-240 V	50/60 Hz	120°	≥0.95	≥80	2.0 kg
PL PFM 600 33W/3000K UGR19	4058075225237	-10...+45	220-240 V	50/60 Hz	90°	≥0.95	≥80	2.1 kg
PL PFM 600 33W/3000K UGR19	4058075225251	-10...+45	220-240 V	50/60 Hz	90°	≥0.95	≥80	2.1 kg
PL PFM 625 30W/3000K	4058075225275	-10...+45	220-240 V	50/60 Hz	120°	≥0.95	≥80	2.3 kg
PL PFM 625 30W/4000K	4058075225299	-10...+45	220-240 V	50/60 Hz	120°	≥0.95	≥80	2.3 kg
PL PFM 625 40W/3000K	4058075225312	-10...+45	220-240 V	50/60 Hz	120°	≥0.95	≥80	2.3 kg
PL PFM 625 40W/4000K	4058075225336	-10...+45	220-240 V	50/60 Hz	120°	≥0.95	≥80	2.3 kg
PL PFM 625 33W/3000K UGR19	4058075225350	-10...+45	220-240 V	50/60 Hz	90°	≥0.95	≥80	2.4 kg
PL PFM 625 33W/4000K UGR19	4058075225374	-10...+45	220-240 V	50/60 Hz	90°	≥0.95	≥80	2.4 kg





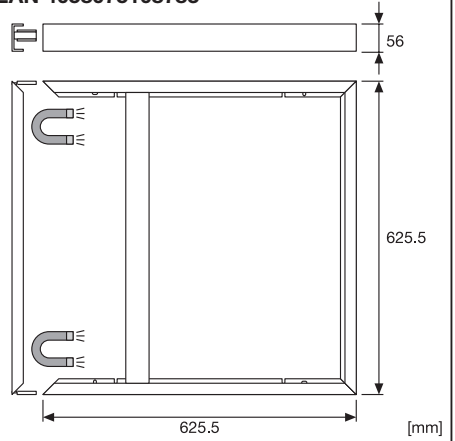
Surface Mount Kit 600x600

EAN 4058075108769



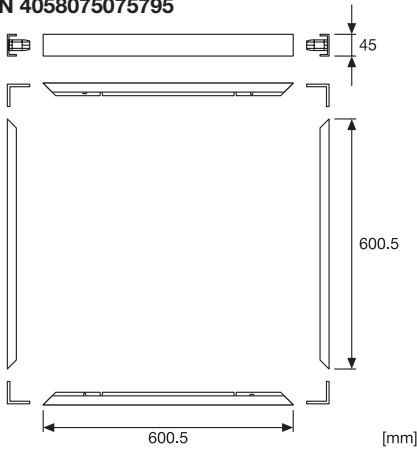
Surface Mount Kit 625x625

EAN 4058075108783



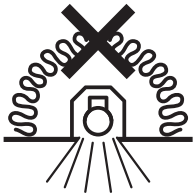
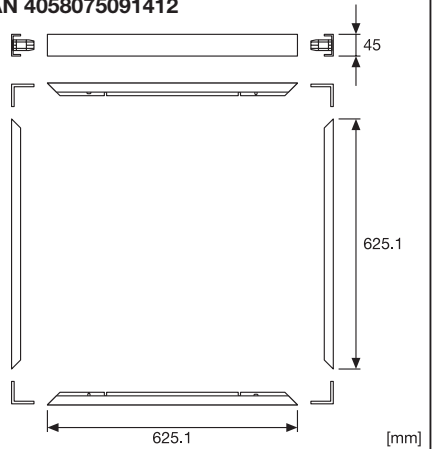
Surface Mount Kit Value 600x600

EAN 4058075075795



Surface Mount Kit 625x625

EAN 4058075091412



RoHS



C10449057  
G11070135  
26.02.19



LEDVANCE GmbH  
Steinerne Furt 62  
86167 Augsburg, Germany  
[www.ledvance.com](http://www.ledvance.com)