

INSTRUCTION

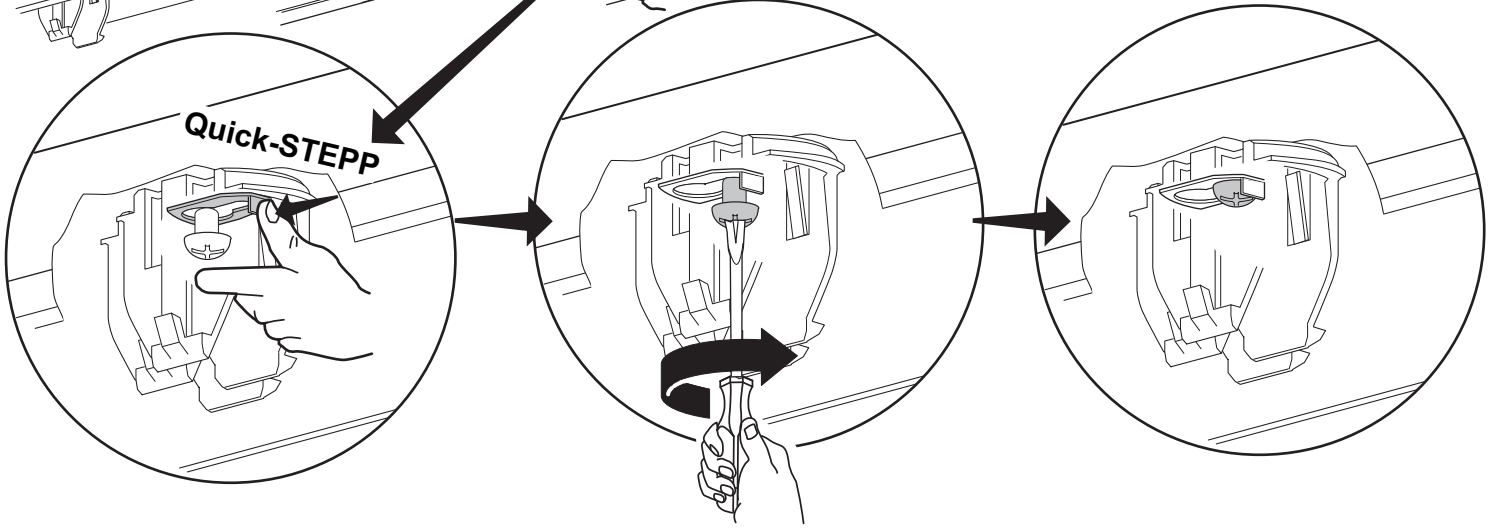
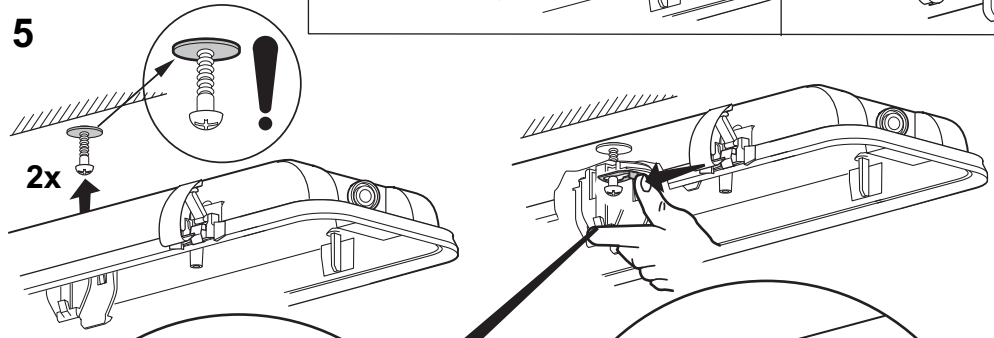
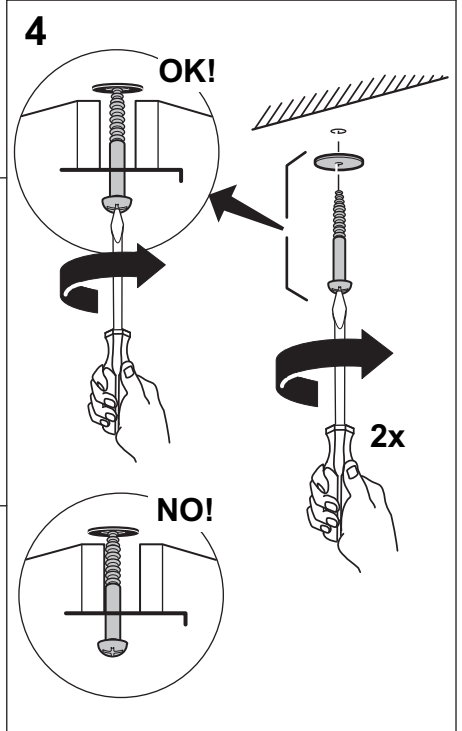
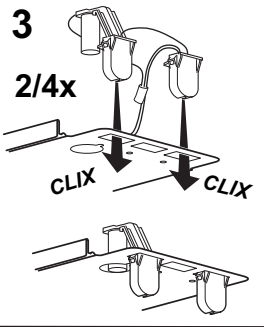
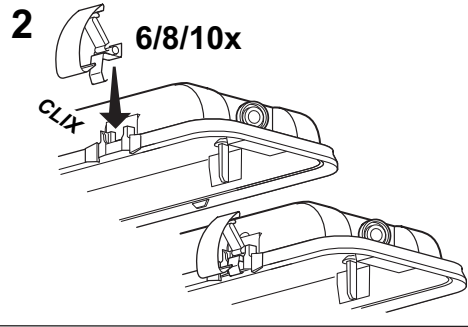
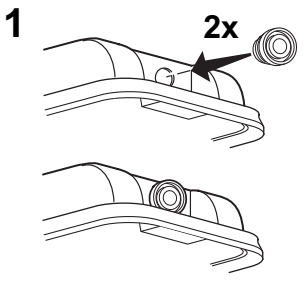
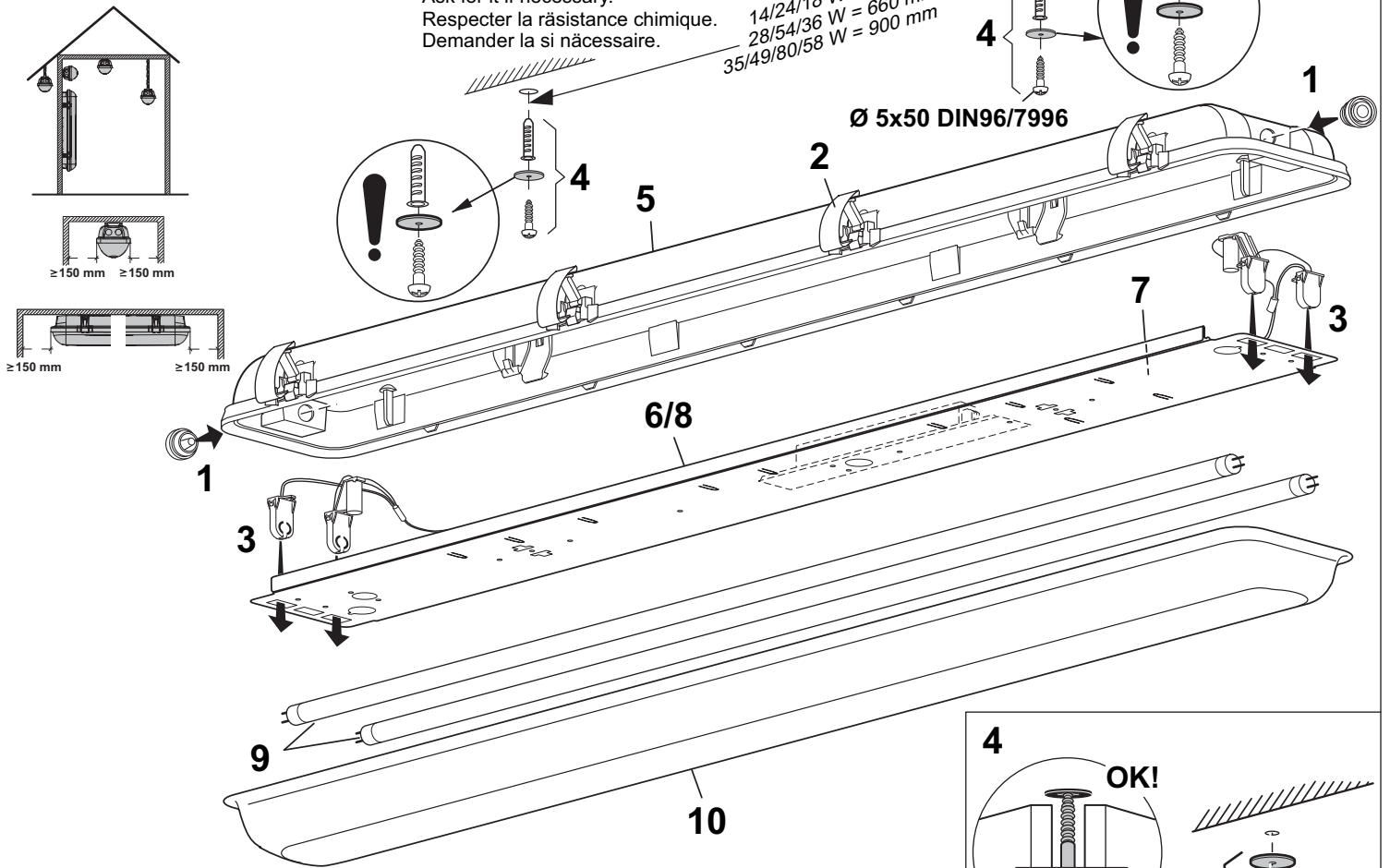
Chemikalienbeständigkeit beachten,
gegebenenfalls anfragen.

Respect chemical resistance,
Ask for it if necessary.

Respecter la résistance chimique.
Demander la si nécessaire.

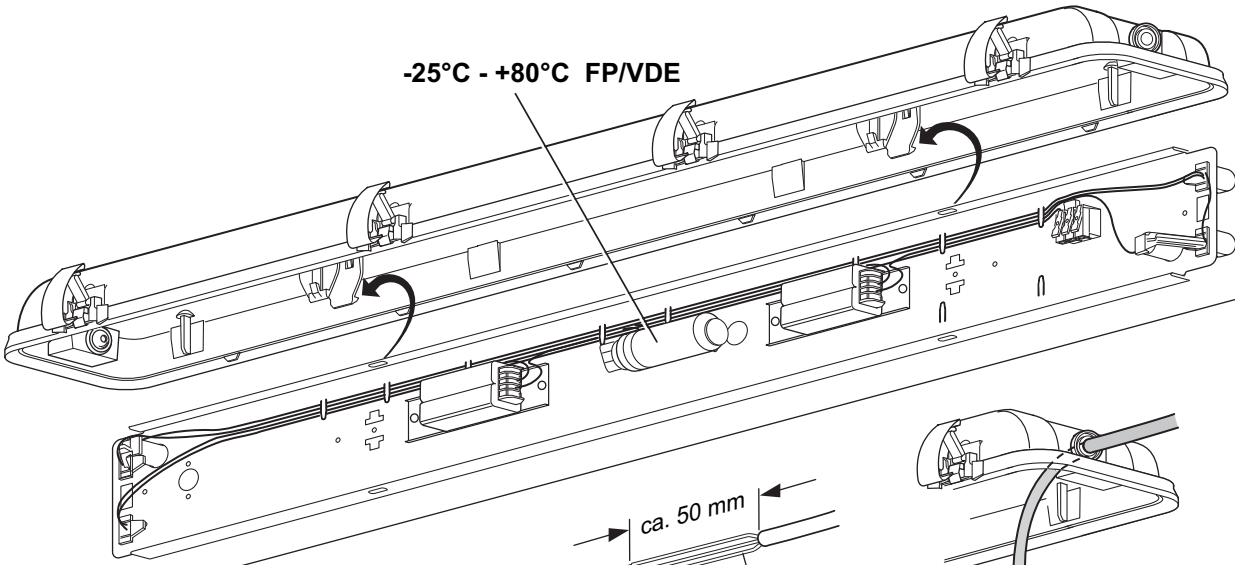
14/24/18 W = 450 mm
28/54/36 W = 660 mm
35/49/80/58 W = 900 mm

Ø 5x50 DIN96/7996

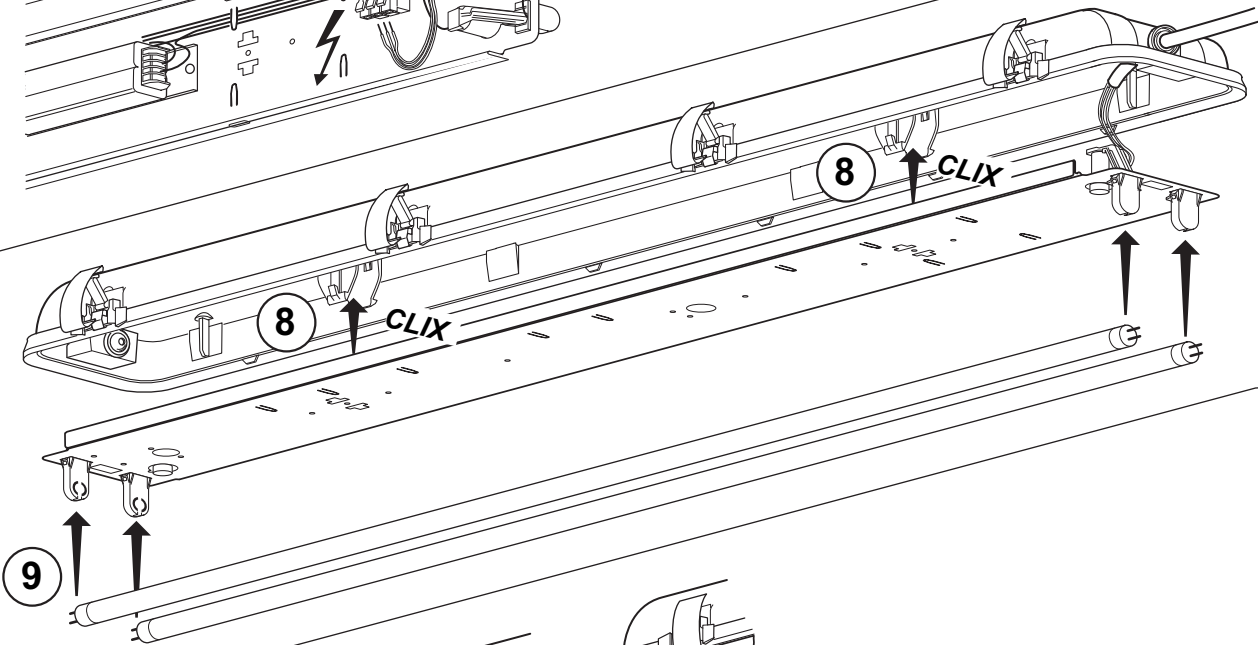
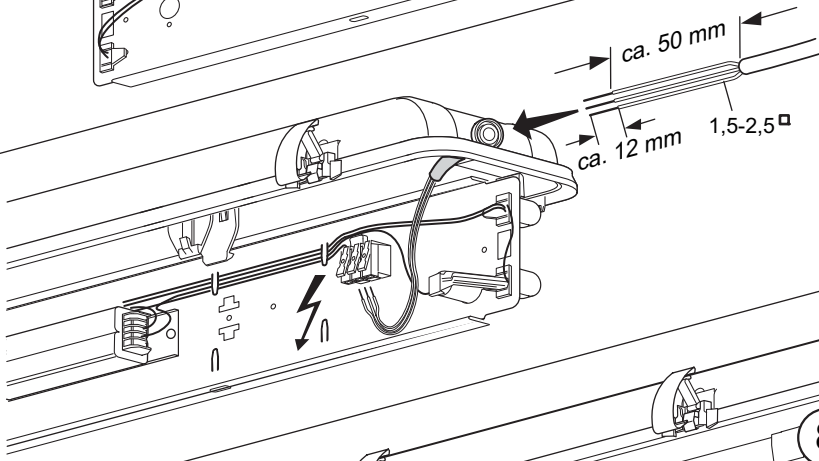


6

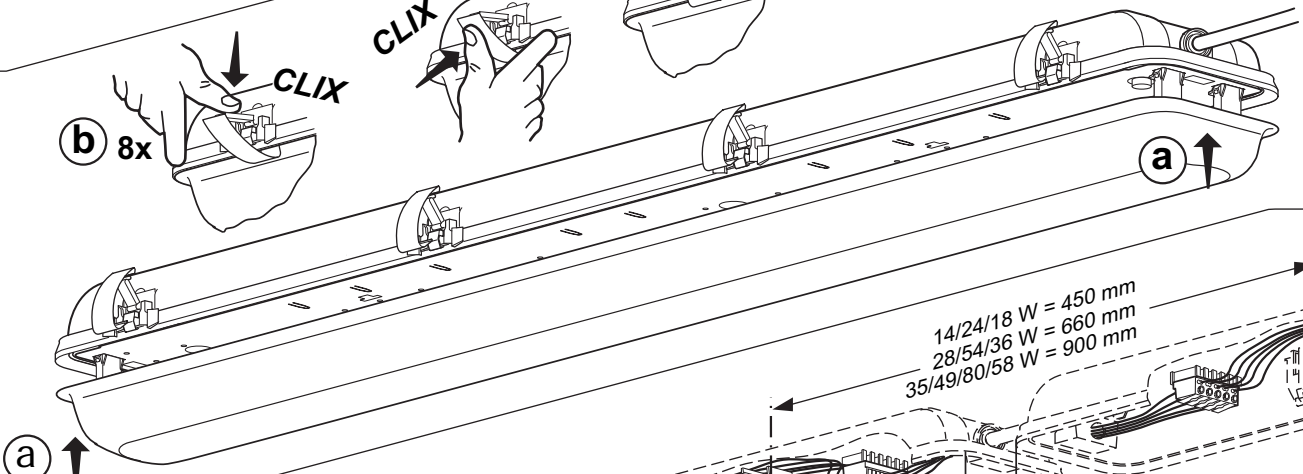
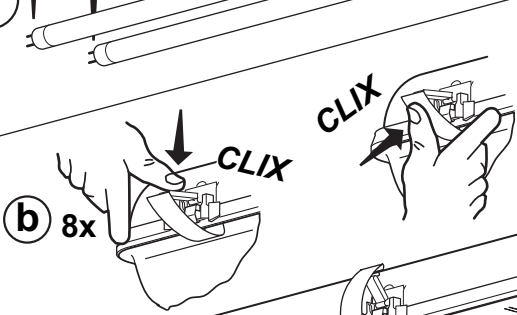
-25°C - +80°C FP/VE



7



10



14/24/18 W = 450 mm
 28/54/36 W = 660 mm
 35/49/80/58 W = 900 mm

min. 4 mm

Option ! Max. 16A > 120° C (EVA/Silikon)
 HO5G, HO7G / HO5S, HO7S

