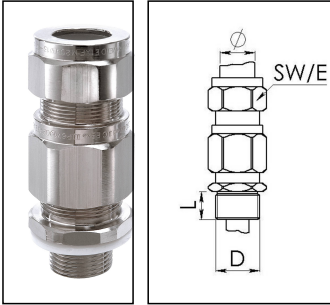


## WEID.E1WF-32a / M32

Ex d cable gland, brass nickel-plated, M32



Products may differ in size, colour and appearance to those shown. If you require further information or customisation, please contact us directly.



Material cable gland	Brass nickel-plated
Material sealing gasket	Silicone
Temp. range min	-60 °C
Temp. range max	110 °C
Protection class	IP66 / IP67
Type of protection	Ex eb, Ex tb, Ex db
Ex-Certificate	ATEX, IECEx
Thread type	M
Ø Connection thread D	32
Lead	1,5
Length screw-in thread L	15 mm
Ø cable diameter min	22 mm
Ø cable diameter max	28 mm
Ø cable below cable shield max	17,5 mm - 22,5 mm
Key width SW	45 mm
Collar diameter (E)	49 mm
Total length TL	101 mm
Surface	Nickel-plated
Order no. nickel-plated	50065543
Type	WEID.E1WF-32a / M32
Packing unit	1
ETIM-Classification	EC000441

03.08.2021

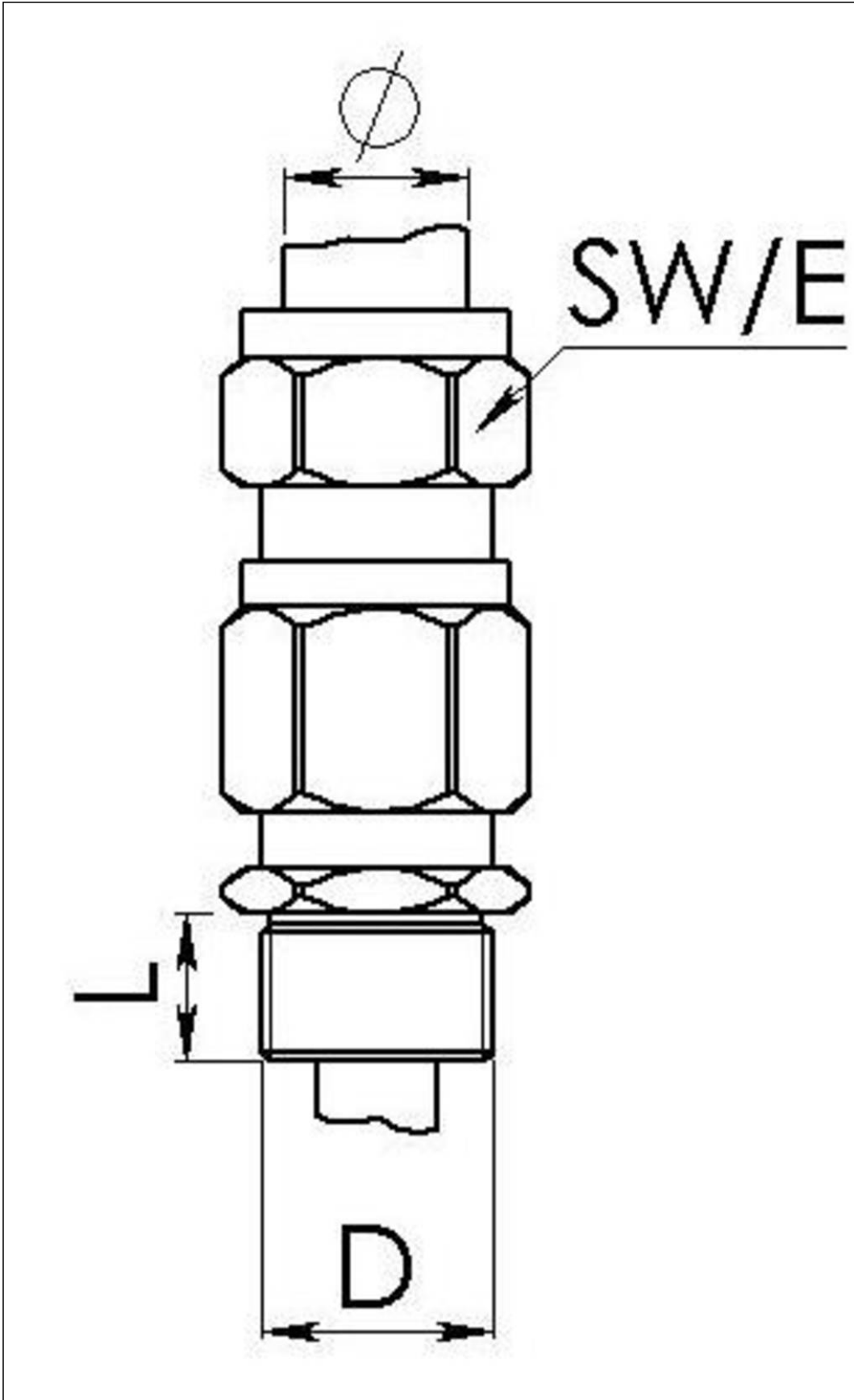
Your Contact:

WISKA Hoppmann GmbH

Kisdorfer Weg 28 · 24568 Kaltenkirchen · Germany

☎ +49-4191-508-0 · 📠 +49-4191-508-209

contact@wiska.de · www.wiska.com



Your Contact:  
WISKA Hoppmann GmbH  
Kisdorfer Weg 28 · 24568 Kaltenkirchen · Germany  
☎ +49-4191-508-0 · 📠 +49-4191-508-209  
contact@wiska.de · www.wiska.com