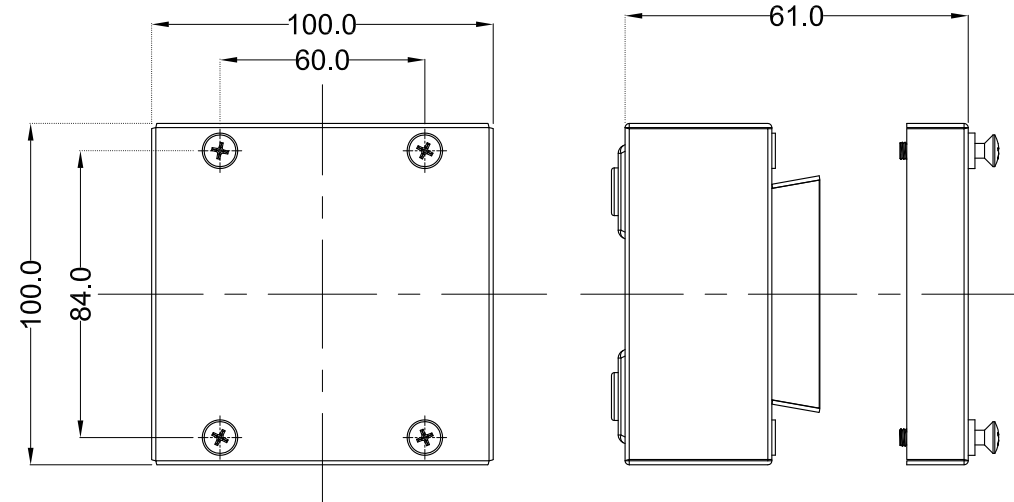
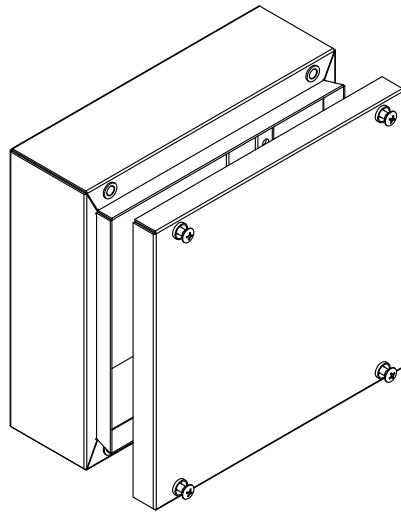


SECTION A-A



NOTE :-

- 1) ALL EDGES ARE BURR FREE
- 2) NON DIMENSIONAL RADIUS - 0.5mm

Sr No.	Material	UOM	Qty	NO.	REV.NO.	DESCRIPTION	DATE	DRAWN	CHECKED
1	Base Assembly		1						
1.1	Base	Nos	1	TITLE :- JUNCTION BOX ASSEMBLY 100 x 100 x 61			DATE	SIGN	NAME
1.2	Din Rail Mounting Channel	Nos	2						RRPL DESIGN
1.3	Blind Nutsert M5 - SS 304 (Large Flanged)	Nos	4	MATERIAL			01/04/15		MANOJ DRAWN
1.4	Bottom Sealing Cap	Nos	4	FINISH			01/04/15		A.M. CHECKED
2	Lid Assembly		1						M.S. APPROVED
2.1	Lid	Nos	1	Raychem RPG (P) Limited Ceat Mahal Annexe, Dr. Annie Besant Road, Worli, Mumbai 400030 Web : www.raychemrpg.com			SCALE		PARTNO.
2.2	Sealing Gasket	M					REV		DRG. NO.
2.3	Plastics Insert for Screw	Nos	4				100		ASSEMBLY
2.4	Stud EN ISO 13918-PTM6x12- A2-50 - SS 304	Nos	1						
2.5	Oval Head Screw DIN 966 -M5x30 - SS 304	Nos	4						
				ALL DIMENSION ARE IN MM					