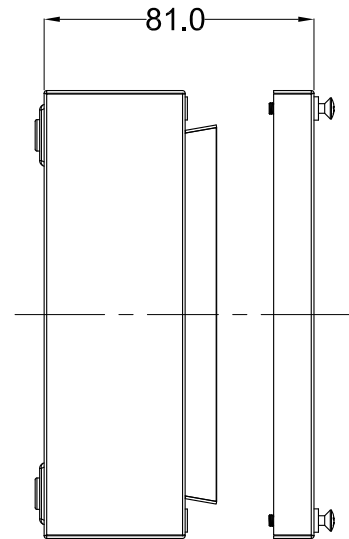
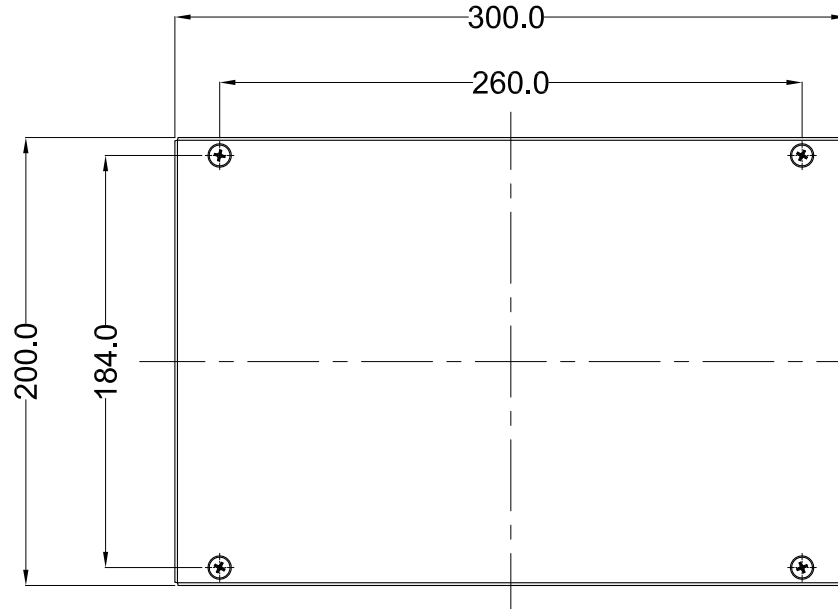
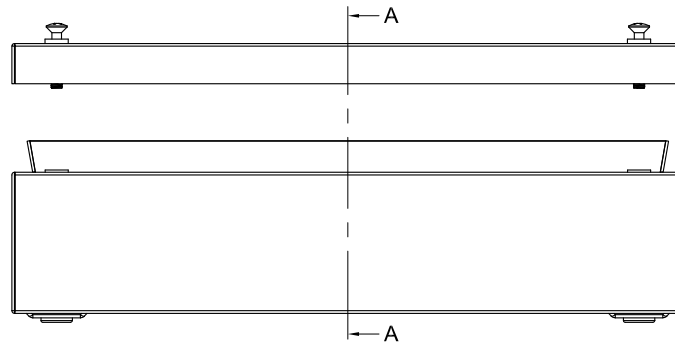
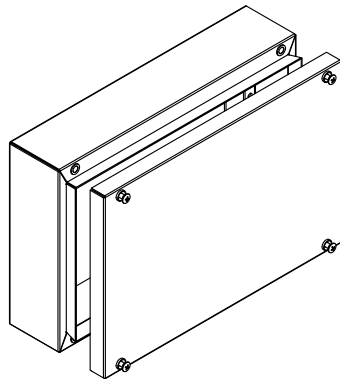
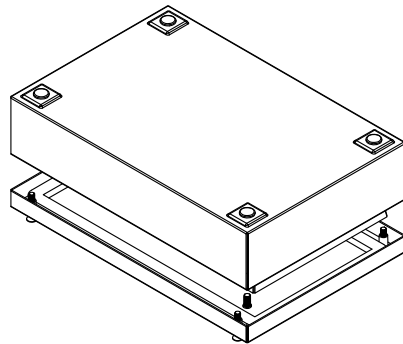


SECTION A-A

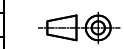


NOTE :-

- 1) ALL EDGES ARE BURR FREE
- 2) NON DIMENSIONAL RADIUS - 0.5mm

PROPERTY OF RaychemRPG (P) LTD.  
ALL RIGHTS RESERVED AND/OR PHOTOCOPIING THIS DOCUMENT  
TO A PERSON WITHOUT RaychemRPG (P)LTD. WRITTEN AUTHORIZATION IS PROHIBITED

Sr No.	Material	UOM	Qty	NO.	REV.NO.	DESCRIPTION	DATE	DRAWN	CHECKED	
1	Base Assembly		1							
1.1	Base	Nos	1	TITLE :- JUNCTION BOX ASSEMBLY 300 x 200 x 81			DATE	SIGN	NAME	
1.2	Din Rail Mounting Channel	Nos	2						RRPL	DESIGN
1.3	Blind NutSert M5 - SS 304 ( Large Flanged )	Nos	4							
1.4	Bottom Sealing Cap	Nos	4							
2	Lid Assembly		1	MATERIAL			FINISH	01/04/15	MANOJ	
2.1	Lid	Nos	1	-			-	01/04/15	A.M.	
2.2	Sealing Gasket	M		-			-		M.S.	
2.3	Plastics Insert for Screw	Nos	4	-			-			
2.4	Stud EN ISO 13918-PTM6x12- A2-50 - SS 304	Nos	1	-			-			
2.5	Oval Head Screw DIN 966 -M5x30 - SS 304	Nos	4	-			-			



**Raychem RPG (P) Limited**  
Geat Mahal Annexe,  
Dr. Annie Besant Road,  
Worli, Mumbai 400030  
Web : www.raychemrpg.com

SCALE PARTNO. .  
REV 00 ASSEMBLY  
DRG. NO.