



**Product data**

Product code	<b>VH04-0009</b>	STK-code	<b>3454136</b>	EAN-code	<b>6410034541365</b>
Product name	Cabinet key KL Zn			ETIM class	<b>EC000175</b>

**Technical data**

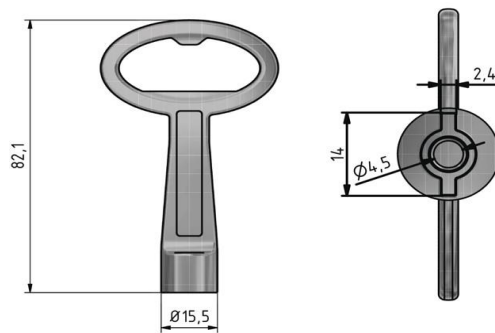
	-	
	-	
	-	
	-	
	-	
	-	
	-	
	-	
	-	
	-	
	-	
	-	
	-	
	-	
	-	
	-	
	-	
	-	
	-	
	-	
	-	
	-	
	-	
	-	
Weight	30	g
	-	
	-	
Color / Material	Nickel plated zinc	
	-	



**Description**

Latch key is made of nickel coated zinc. Double blade version.

**Drawing**



**Package**

Package	<b>Box</b>	Pcs / Package	<b>100</b>	Weight [kg]	<b>3,114</b>
Length [mm]	<b>210</b>	Width [mm]	<b>155</b>	Height [mm]	<b>105</b>

**Ouneva Oy**  
Teollisuustie 21  
FI-82730 Tuupovaara  
Finland

[www.ounevagroup.fi](http://www.ounevagroup.fi)

[www.ounevaproducts.fi](http://www.ounevaproducts.fi)