


 220-240V  
50/60 Hz

 IK  
03

 IP  
20


Modern projector for LED light sources.

**TECHNICAL DATA**
**Mounting:** in 3-phase track

**Body:** high pressure die-cast aluminum

**Colour:** white, black

**Diffuser:** polycarbonate

**ELECTRICAL DATA**
**Power supply efficiency:** >80%

**Power:** 220-240V 50/60Hz

**Includes light source:** yes

**Type of equipment:** ED

**Electrical connection:** in 3-phase track

**OPTICAL DATA**
**Light distribution:** circular

**Way of lighting:** direct

**Reflector:** plastic polished

**GENERAL DATA**
**Lifetime (L80B10):** 100 000 h

**Operating temperature range:** 0°C ... +35°C

**Additional information:** Safe supply of the LED module with low SELV voltage

**Warranty:** 5 years

**Application:** boutiques, delicatessen, jeweler, exhibitions, exhibitions, shopping centers, galleries, museums


Code	Luminaire power [W]	Lumen luminaire [lm]	Efficacy [lm/W]	Colour temperature [K]	CRI/Ra	Operating temperature range [°C]
<b>Type: STANDARD</b>						
02028X.SL01.10X	10	950	95	3000	80	0 ... +35
02028X.SL02.10X	10	1000	100	4000	80	0 ... +35
02028X.SL03.20X	18	2000	111	3000	80	0 ... +35
02028X.SL04.20X	18	2100	117	4000	80	0 ... +35
02028X.SL05.30X	26	2800	108	3000	80	0 ... +35
02028X.SL06.30X	26	2950	113	4000	80	0 ... +35
<b>Type: HI-CRI</b>						
02028X.SL07.10X	10	800	80	3000	90	0 ... +35
02028X.SL08.10X	10	850	85	4000	90	0 ... +35
02028X.SL09.20X	18	1700	94	3000	90	0 ... +35
02028X.SL10.20X	18	1800	100	4000	90	0 ... +35
02028X.SL11.30X	26	2300	88	3000	90	0 ... +35
02028X.SL12.30X	26	2450	94	4000	90	0 ... +35

02028	□	.SL07.10	□
	Colour		Beam angle
1	□ white	1	18°
3	■ black	2	23°
		3	35°

Luminous flux tolerance +/- 10%.

Power tolerance +/- 5%.

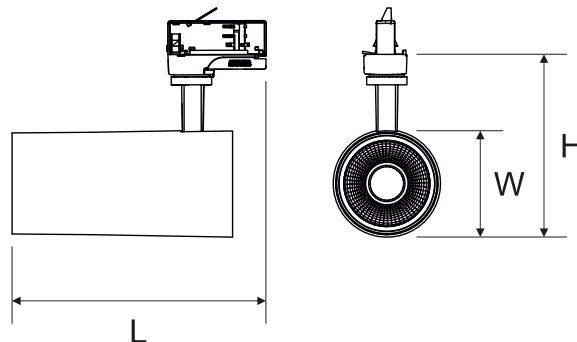
Lighting beam, light intensity distribution and light efficiency were examined in accordance with the EN ISO 17025:2005 norm for EN13032 norm series and the LM-79 norm.

 Up-to-date product info and General Warranty Terms available on our website [www.luglightfactory.com](http://www.luglightfactory.com)

Detailed information on luminous fluxes and powers for individual indexes are indicated on the product data sheet.

The parameters in the data sheet are given for Ta=25°C.

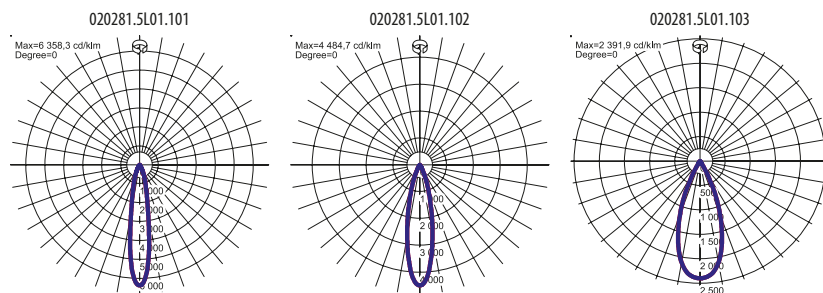
Code	Dimensions [mm] L W H	Net weight [kg]
<b>Type: STANDARD</b>		
02028X.5L01.10X	170 63 118	0.4
02028X.5L02.10X	170 63 118	0.4
02028X.5L03.20X	185 74 135	0.6
02028X.5L04.20X	185 74 135	0.6
02028X.5L05.30X	207 87 147	0.8
02028X.5L06.30X	207 87 147	0.8
<b>Type: HI-CRI</b>		
02028X.5L07.10X	170 63 118	0.4
02028X.5L08.10X	170 63 118	0.4
02028X.5L09.20X	185 74 135	0.6
02028X.5L10.20X	185 74 135	0.6
02028X.5L11.30X	207 87 147	0.8
02028X.5L12.30X	207 87 147	0.8



## OTHER PICTURES



## LIGHT BEAM CURVES



## WAY OF LIGHTING

020281.5L01.101

020281.5L01.102

020281.5L01.103

Luminous flux tolerance +/- 10%.

Power tolerance +/- 5%.

Lighting beam, light intensity distribution and light efficiency were examined in accordance with the EN ISO 17025:2005 norm for EN13032 norm series and the LM-79 norm.

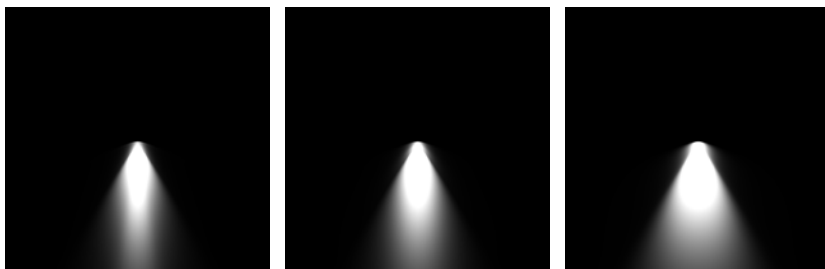
Up-to-date product info and General Warranty Terms available on our website [www.luglightfactory.com](http://www.luglightfactory.com)

Detailed information on luminous fluxes and powers for individual indexes are indicated on the product data sheet.

The parameters in the data sheet are given for Ta=25°C.

# CALIBRO 2.0 LED

Group in catalogue: SPOTLIGHTS



Luminous flux tolerance +/- 10%.

Power tolerance +/- 5%.

Lighting beam, light intensity distribution and light efficiency were examined in accordance with the EN ISO 17025:2005 norm for EN13032 norm series and the LM-79 norm.

Up-to-date product info and General Warranty Terms available on our website [www.luglightfactory.com](http://www.luglightfactory.com)

Detailed information on luminous fluxes and powers for individual indexes are indicated on the product data sheet.

The parameters in the data sheet are given for Ta=25°C.