

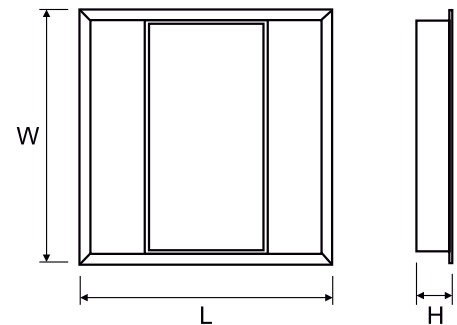
220-240V
50/60 HzIK
09IP
20

Modern direct-indirect light recessed luminaire for modular suspended ceilings featuring LED light sources.

TECHNICAL DATA**Mounting:** directly in the ceiling construction**Body:** powder-painted steel sheet**Colour:** white**ELECTRICAL DATA****Power supply efficiency:** >90%**Power:** 220-240V 50/60Hz**Includes light source:** yes**Type of equipment:** ED**Electrical connection:** max 3x2,5 mm² wire**OPTICAL DATA****Way of lighting:** indirect**GENERAL DATA****Lifetime (L80B10):** 50 000 h**Warranty:** 5 years**Application:** auditorium, classrooms, museums, reception desks, restaurants, offices

Code	Luminaire power [W]	Lumen luminaire [lm]	Efficacy [lm/W]	Colour temperature [K]	CRI/Ra
050081.5L01.311	56	3200	57	3000	≥80
050081.5L02.311	56	3300	59	4000	≥80
050081.5L03.311	74	3900	53	3000	≥80
050081.5L04.311	74	4050	55	4000	≥80

Code	Dimensions [mm] L W H	Mounting dimensions [mm] L W	Pallet quantity	Quantity in package	Net weight [kg]
050081.5L01.311	595 595 100	600 600	44	1	5.5
050081.5L02.311	595 595 100	600 600	44	1	5.5
050081.5L03.311	595 595 100	600 600	44	1	5.5
050081.5L04.311	595 595 100	600 600	44	1	5.5

**OTHER PICTURES**

Luminous flux tolerance +/- 10%.

Power tolerance +/- 5%.

Lighting beam, light intensity distribution and light efficiency were examined in accordance with the EN ISO 17025:2005 norm for EN13032 norm series and the LM-79 norm.

Up-to-date product info and General Warranty Terms available on our website www.luglightfactory.com

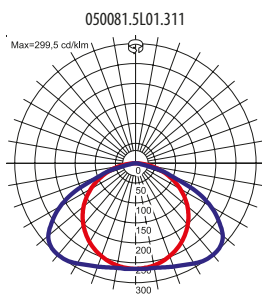
Detailed information on luminous fluxes and powers for individual indexes are indicated on the product data sheet.

The parameters in the data sheet are given for Ta=25°C.

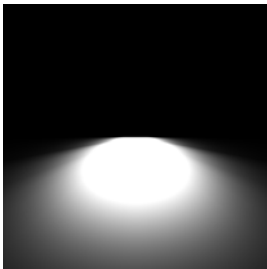
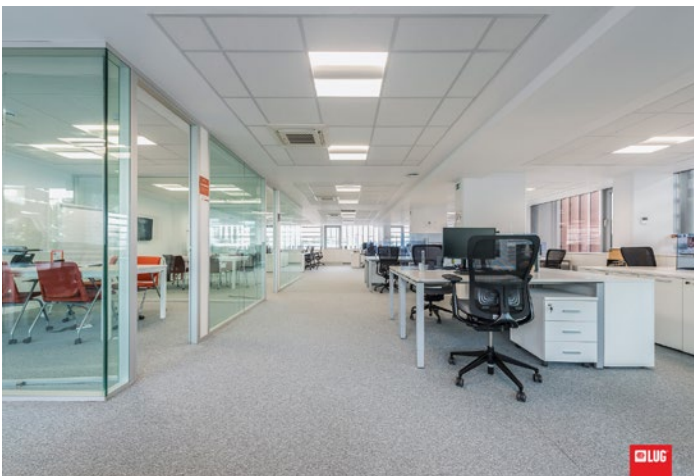
ACCESSORIES

150210.00605

Mounting frame for plasterboard
ceilings 595x595 (mounting hole
615x615)

LIGHT BEAM CURVES**WAY OF LIGHTING**

050081.5L01.311

**OTHER PROJECTS**

Coty, Athens, Greece

Luminous flux tolerance +/- 10%.

Power tolerance +/- 5%.

Lighting beam, light intensity distribution and light efficiency were examined in accordance with the EN ISO 17025:2005 norm for EN13032 norm series and the LM-79 norm.

Up-to-date product info and General Warranty Terms available on our website www.luglightfactory.com

Detailed information on luminous fluxes and powers for individual indexes are indicated on the product data sheet.

The parameters in the data sheet are given for Ta=25°C.