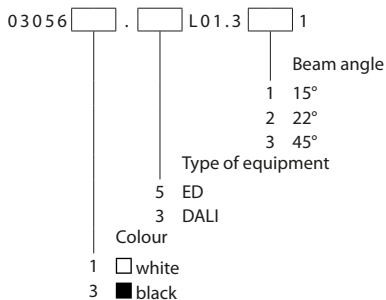


220-240V
50/60 HzIK
06IP
20IP
20/54

Decorative downlight luminaire, adapted for tool-free assembly, for suspended ceilings, for LED light sources. The luminaire in round version with different angles of light distribution.

TECHNICAL DATA**Mounting:** in the ceiling, with mounting brackets (included)**Body:** aluminum**Colour:** white, black**ELECTRICAL DATA****Power:** 220-240V 50/60Hz**Includes light source:** yes**Type of equipment:** ED, DALI**OPTICAL DATA****Light distribution:** rotationally-symmetric**Way of lighting:** direct**Reflector:** polished faceted**GENERAL DATA****Lifetime (L80B10):** 60 000 h**Warranty:** 5 years**Application:** public utility facilities, delicatessen, supermarkets, shopping centers, offices, car showrooms, pathways, halls, classrooms, corridors, flats

Code	Luminaire power [W]	Lumen luminaire [lm]	Efficacy [lm/W]	Colour temperature [K]	CRI/Ra	IK
Degree of water and dust protection: IP20						
03056X.XL01.3X1	27	2550	94	3000	≥80	-
03056X.XL02.3X1	27	2700	100	4000	≥80	-
03056X.XL03.3X1	35	3300	94	3000	≥80	-
03056X.XL04.3X1	35	3450	99	4000	≥80	-
03056X.XL01.3X3	27	2550	94	3000	≥80	-
03056X.XL02.3X3	27	2700	100	4000	≥80	-
03056X.XL03.3X3	35	3300	94	3000	≥80	-
03056X.XL04.3X3	35	3450	99	4000	≥80	-
Degree of water and dust protection: IP20/54						
03064X.5L01.3X1	27	2550	94	3000	≥80	IK06
03064X.5L02.3X1	27	2700	100	4000	≥80	IK06
03064X.5L03.3X1	35	3350	96	3000	≥80	IK06
03064X.5L04.3X1	35	3450	99	4000	≥80	IK06
03064X.5L01.3X1	27	2550	94	3000	≥80	IK06
03064X.5L02.3X1	27	2700	100	4000	≥80	IK06
03064X.5L03.3X1	35	3350	96	3000	≥80	IK06
03064X.5L04.3X1	35	3450	99	4000	≥80	IK06



Luminous flux tolerance +/- 10%.

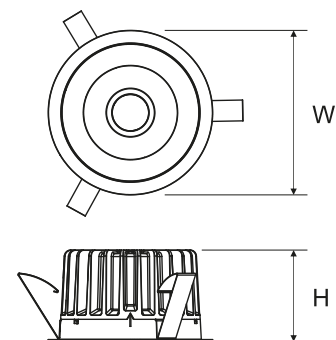
Power tolerance +/- 5%.

Up-to-date product info and General Warranty Terms available on our website www.luglightfactory.com

Detailed information on luminous fluxes and powers for individual indexes are indicated on the product data sheet.

The parameters in the data sheet are given for Ta=25°C.

Code	Dimensions [mm] W H	Mounting dimensions [mm] ØS	Pallet quantity	Quantity in package	Net weight [kg]
Degree of water and dust protection: IP20					
03056X.XL01.3X1	160 88	147	360	1	0.9
03056X.XL02.3X1	160 88	147	360	1	0.9
03056X.XL03.3X1	160 88	147	360	1	0.9
03056X.XL04.3X1	160 88	147	360	1	0.9
03056X.XL01.3X3	160 88	147	360	1	0.9
03056X.XL02.3X3	160 88	147	360	1	0.9
03056X.XL03.3X3	160 88	147	360	1	0.9
03056X.XL04.3X3	160 88	147	360	1	0.9
Degree of water and dust protection: IP20/54					
03064X.5L01.3X1	164 93	147	360	1	0.9
03064X.5L02.3X1	164 93	147	360	1	0.9
03064X.5L03.3X1	164 93	147	360	1	0.9
03064X.5L04.3X1	164 93	147	360	1	0.9
03064X.5L01.3X1	164 93	147	360	1	0.9
03064X.5L02.3X1	164 93	147	360	1	0.9
03064X.5L03.3X1	164 93	147	360	1	0.9
03064X.5L04.3X1	164 93	147	360	1	0.9



OTHER PICTURES



IP20/54



INTO R family

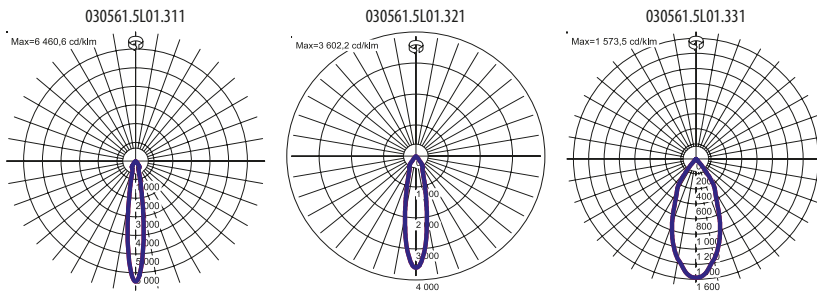
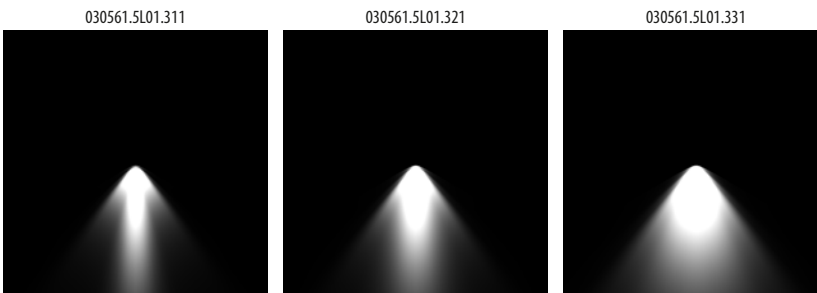
Luminous flux tolerance +/- 10%.

Power tolerance +/- 5%.

Up-to-date product info and General Warranty Terms available on our website www.luglightfactory.com

Detailed information on luminous fluxes and powers for individual indexes are indicated on the product data sheet.

The parameters in the data sheet are given for Ta=25°C.

LIGHT BEAM CURVES**WAY OF LIGHTING**

Luminous flux tolerance +/- 10%.

Power tolerance +/- 5%.

Up-to-date product info and General Warranty Terms available on our website www.luglightfactory.com

Detailed information on luminous fluxes and powers for individual indexes are indicated on the product data sheet.

The parameters in the data sheet are given for $T_a=25^{\circ}\text{C}$.