

220-240V
50/60 HzIK
06IP
20IP
20/54

Decorative downlight luminaire, adapted for tool-free assembly, for suspended ceilings, for LED light sources. The luminaire in round version with different angles of light distribution.

TECHNICAL DATA
Mounting: in the ceiling, with mounting brackets (included)

Body: aluminum

Colour: white, black

ELECTRICAL DATA
Power: 220-240V 50/60Hz

Includes light source: yes

Type of equipment: ED, DALI

Electrical connection: max 2x1,5 mm² wire, max 4x1,5 mm² wire

OPTICAL DATA
Light distribution: rotationally-symmetric

Way of lighting: direct

Reflector: polished faceted

GENERAL DATA
Lifetime (L80B10): 60 000 h

Warranty: 5 years

Application: public utility facilities, delicatessen, supermarkets, shopping centers, offices, car showrooms, pathways, halls, classrooms, corridors, flats


Code	Colour	Luminaire power [W]	Lumen luminaire [lm]	Efficacy [lm/W]	Colour temperature [K]	CRI/Ra	Operating temperature range [°C]
Type: IP20							
030561.XL01.3XX	white	23	2600	113	3000	≥80	0 ... +35
030561.XL02.3XX	white	23	2750	120	4000	≥80	0 ... +35
030561.XL03.3XX	white	30	3350	112	3000	≥80	0 ... +35
030561.XL04.3XX	white	30	3550	118	4000	≥80	0 ... +35
030563.XL01.3XX	black	23	2600	113	3000	≥80	0 ... +35
030563.XL02.3XX	black	23	2750	120	4000	≥80	0 ... +35
030563.XL03.3XX	black	30	3350	112	3000	≥80	0 ... +35
030563.XL04.3XX	black	30	3550	118	4000	≥80	0 ... +35
Type: IP20/54, IK06							
030641.XL01.3XX	white	23	2700	117	3000	≥80	0 ... +35
030641.XL02.3XX	white	23	2800	122	4000	≥80	0 ... +35
030641.XL03.3XX	white	30	3400	113	3000	≥80	0 ... +35
030641.XL04.3XX	white	30	3600	120	4000	≥80	0 ... +35
030643.XL01.3XX	black	23	2700	117	3000	≥80	0 ... +35
030643.XL02.3XX	black	23	2800	122	4000	≥80	0 ... +35
030643.XL03.3XX	black	30	3400	113	3000	≥80	0 ... +35
030643.XL04.3XX	black	30	3600	120	4000	≥80	0 ... +35

Luminous flux tolerance +/- 10%.

Power tolerance +/- 5%.

Up-to-date product info and General Warranty Terms available on our website www.luglightfactory.com

Detailed information on luminous fluxes and powers for individual indexes are indicated on the product data sheet.

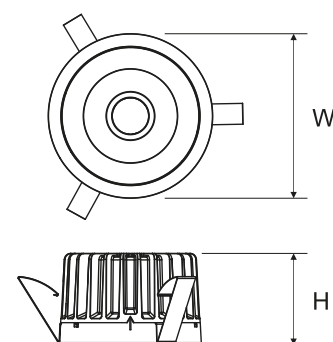
The parameters in the data sheet are given for Ta=25°C.

030561.	L01.3			
		Bezel colour		
		1 <input type="checkbox"/> white		
		3 <input type="checkbox"/> black		
		4 <input type="checkbox"/> silver		
		5 <input type="checkbox"/> gold		
		Beam angle		
		1 15°		
		2 22°		
		3 45°		
		4 63°		
		Type of equipment		
		5 ED		
		3 DALI		

Code	Dimensions [mm] W H	Mounting dimensions [mm] ØS	Pallet quantity	Quantity in package	Net weight [kg]
Type: IP20					
030561.XL01.3XX	160 88	147	360	1	0.9
030561.XL02.3XX	160 88	147	360	1	0.9
030561.XL03.3XX	160 88	147	360	1	0.9
030561.XL04.3XX	160 88	147	360	1	0.9
030563.XL01.3XX	160 88	147	360	1	0.9
030563.XL02.3XX	160 88	147	360	1	0.9
030563.XL03.3XX	160 88	147	360	1	0.9
030563.XL04.3XX	160 88	147	360	1	0.9

Type: IP20/54, IK06

030641.XL01.3XX	164 93	147	360	1	0.9
030641.XL02.3XX	164 93	147	360	1	0.9
030641.XL03.3XX	164 93	147	360	1	0.9
030641.XL04.3XX	164 93	147	360	1	0.9
030643.XL01.3XX	164 93	147	360	1	0.9
030643.XL02.3XX	164 93	147	360	1	0.9
030643.XL03.3XX	164 93	147	360	1	0.9
030643.XL04.3XX	164 93	147	360	1	0.9



Luminous flux tolerance +/- 10%.

Power tolerance +/- 5%.

Up-to-date product info and General Warranty Terms available on our website www.luglightfactory.com

Detailed information on luminous fluxes and powers for individual indexes are indicated on the product data sheet.

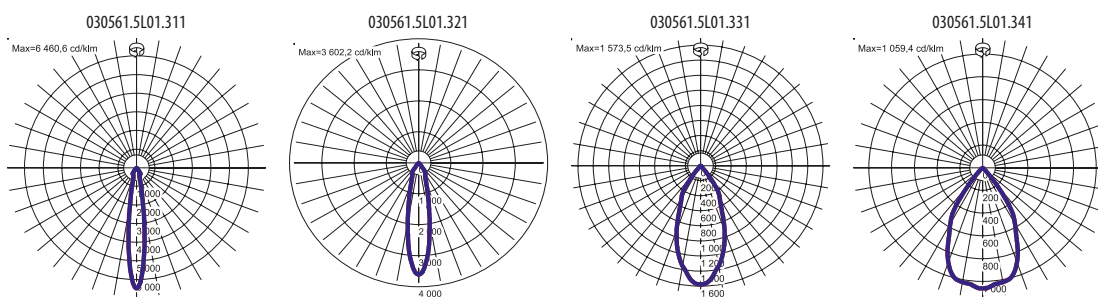
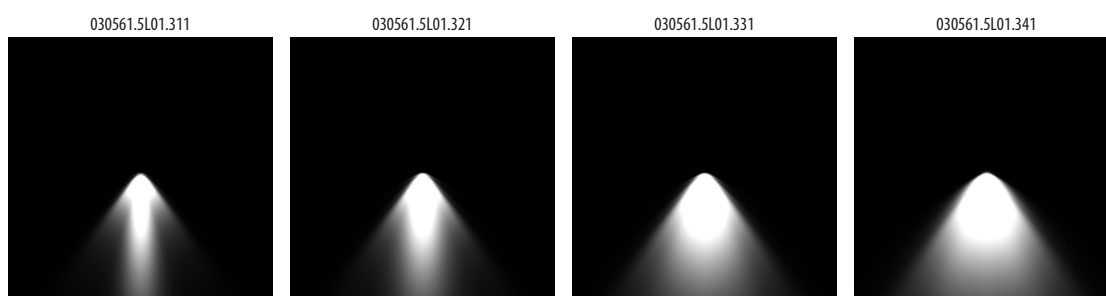
The parameters in the data sheet are given for Ta=25°C.

OTHER PICTURES

IP20/54



INTO R family

LIGHT BEAM CURVES**WAY OF LIGHTING**

Luminous flux tolerance +/- 10%.

Power tolerance +/- 5%.

Up-to-date product info and General Warranty Terms available on our website www.luglightfactory.com

Detailed information on luminous fluxes and powers for individual indexes are indicated on the product data sheet.

The parameters in the data sheet are given for $T_a=25^{\circ}\text{C}$.