

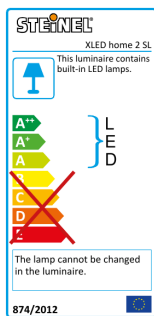
LED Floodlight

# XLED home 2 SL

black

EAN 4007841 033118

**STEINEL**<sup>®</sup>  
Intelligent technology



**LED**

**14,8w**



4000K neutral white



IP44



180° horizontal, 180° vertikal



networkable via cable



ideal 2 m



energy saving

**5 JAHRE**  
HERSTELLER  
GARANTIE  
steinel.de/garantie

manufacturer's warranty  
steinel.de/garantie



CE

30 years (Ø 4,5h / day)

14,8 W 1184 lm

## Function description

Dazzlingly stylish LED floodlight. XLED home 2 SL – the outdoor floodlight without sensor. Freely swivelling LED panel with new opal cover for pleasant wide-area lighting (1184 lm at 14,8 W). Swivelling range: 180° (horizontally and vertically). Cooling system of high thermal conductivity magnesium composite (HCMC). Available in white, black, white, graphite and silver.

## Technical specifications

Dimensions (L x W x H)	181 x 180 x 161 mm
Mains power supply	230 – 240 V / 50 – 60 Hz
Output	14,8 W
Luminous flux	1184 lm
Colour temperature	4000 K
Colour variation LED	SDCM3
Colour Rendering Index CRI	80-89
With lamp	Yes, STEINEL LED system
Lamp	LED cannot be replaced
LED life expectancy (max. °C)	50000 h
Drop in luminous flux in accordance with LM80	L70B10
LED cooling system	HCMC (High Conductive Magnesium Composite)

With motion detector	No
Photo-cell controller	No
Impact resistance	IK00
IP rating	IP44
Protection class	II
Housing material	HCMC
Cover material	Plastic, opal
Manufacturer's Warranty	5 years
PU1, net weight	0,474 kg
Version	black
PU1, EAN	4007841033118

<https://www.steinell.de>

LED Floodlight

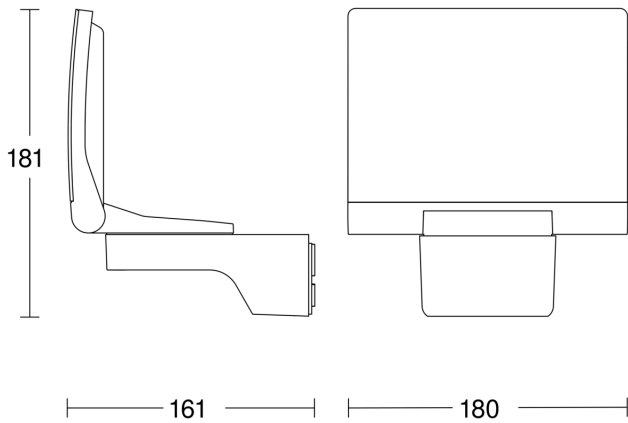
# XLED home 2 SL

black

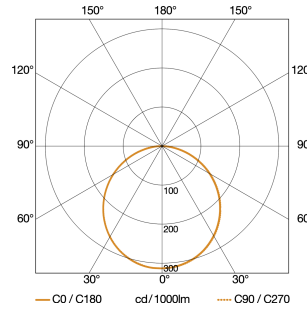
EAN 4007841 033118



## Dimension Drawing



## Light Distribution Curve



Output	14,8 W
With lamp	Yes, STEINEL LED system
Lamp	LED cannot be replaced
Luminous flux	1184 lm
Colour temperature	4000 K
Colour Rendering Index CRI	80-89
LED life expectancy (max. °C)	50000 h
LED cooling system	HCMC (High Conductive Magnesium Composite)

## Master/slave interconnection circuit diagram

