

220-240V
50/60 HzIK
08IP
66

Professional streetlight luminaire for LED light sources.

TECHNICAL DATA**Mounting:** on pillar ø60mm, on horizontal and vertical pillars, on outriggers ø60mm, with mounting bracket (included)**Body:** high pressure die-cast aluminum**Lateral Surface Wind Exposed:** 0,029 m²**Colour:** gray**ELECTRICAL DATA****Power supply efficiency:** >89%**Power:** 220-240V 50/60Hz**Includes light source:** yes**Type of equipment:** ED**Electrical connection:** luminaire equipped with 3x0,75 mm² wire with a length of 4 m (I class), luminaire equipped with 2x0,75 mm² wire with a length of 4 m (II class)**OPTICAL DATA****Light distribution:** circular**Way of lighting:** direct**Type of optic:** 09 - for bike paths, 010 - for pedestrian zones**GENERAL DATA****Lifetime (L90B10):** 100 000 h**Available on request:** DALI, NTC, LLOC, 10kV surge protection**Other remarks:** the pole and boom are not part of the luminaire**Warranty:** 5 years**Application:** cycle paths, avenues, sidewalks, parks, parking areas, residential, public spaces, playgrounds, promenade, residential area roads

Code	Luminaire power [W]	Lumen luminaire [lm]	Efficacy [lm/W]	Colour temperature [K]	CRI/Ra	Operating temperature range [°C]
Protection Class: I						
130232.5L261.1X1	20	2350	118	3000	>70	-20 ... +50
130232.5L041.1X1	20	2450	122	4000	>70	-20 ... +50
130232.5L051.1X1	20	2450	122	5700	>70	-20 ... +50
130232.5L271.1X1	27	3150	117	3000	>70	-20 ... +50
130232.5L071.1X1	27	3250	120	4000	>70	-20 ... +50
130232.5L081.1X1	27	3250	120	5700	>70	-20 ... +50
130232.5L281.1X1	36	3800	106	3000	>70	-20 ... +40
130232.5L101.1X1	36	3900	108	4000	>70	-20 ... +40
130232.5L111.1X1	36	3900	108	5700	>70	-20 ... +40
Protection Class: II						
130232.5L252.1X1	14	1750	125	3000	>70	-40 ... +55
130232.5L132.1X1	14	1800	129	4000	>70	-40 ... +55
130232.5L142.1X1	14	1800	129	5700	>70	-40 ... +55
130232.5L262.1X1	20	2350	118	3000	>70	-40 ... +55
130232.5L162.1X1	20	2450	122	4000	>70	-40 ... +55
130232.5L172.1X1	20	2450	122	5700	>70	-40 ... +55
130232.5L272.1X1	27	3150	117	3000	>70	-40 ... +55
130232.5L192.1X1	27	3250	120	4000	>70	-40 ... +55
130232.5L202.1X1	27	3250	120	5700	>70	-40 ... +55
130232.5L282.1X1	41	4300	105	3000	>70	-40 ... +50
130232.5L222.1X1	41	4400	107	4000	>70	-40 ... +50
130232.5L232.1X1	41	4400	107	5700	>70	-40 ... +50

Luminous flux tolerance +/- 10%.

Power tolerance +/- 5%.

Lighting beam, light intensity distribution and light efficiency were examined in accordance with the EN ISO 17025:2005 norm for EN13032 norm series and the LM-79 norm.

Please note that the standard luminaire is not intended for use in an environment with a high degree of salinity. If it is required to adapt the luminaire to work in such an environment, please contact our Sales Department to confirm the possibility of using an additional protective coating.

Up-to-date product info and General Warranty Terms available on our website www.luglightfactory.com

130232.5L261.1

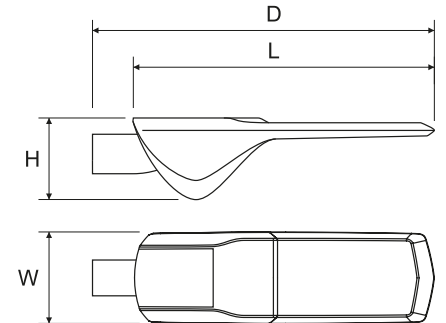


Type of optic

0 O9 - for bike paths

1 O10 - for pedestrian zones

Code	Dimensions [mm] L W H D	Mounting dimensions [mm] ØS	Pallet quantity	Net weight [kg]
Protection Class: I				
130232.5L261.1X1	407 110 120 490	60	156	2.9
130232.5L041.1X1	407 110 120 490	60	156	2.9
130232.5L051.1X1	407 110 120 490	60	156	2.9
130232.5L271.1X1	407 110 120 490	60	156	2.9
130232.5L071.1X1	407 110 120 490	60	156	2.9
130232.5L081.1X1	407 110 120 490	60	156	2.9
130232.5L281.1X1	407 110 120 490	60	156	2.9
130232.5L101.1X1	407 110 120 490	60	156	2.9
130232.5L111.1X1	407 110 120 490	60	156	2.9
Protection Class: II				
130232.5L252.1X1	407 110 120 490	60	156	2.9
130232.5L132.1X1	407 110 120 490	60	156	2.9
130232.5L142.1X1	407 110 120 490	60	156	2.9
130232.5L262.1X1	407 110 120 490	60	156	2.9
130232.5L162.1X1	407 110 120 490	60	156	2.9
130232.5L172.1X1	407 110 120 490	60	156	2.9
130232.5L272.1X1	407 110 120 490	60	156	2.9
130232.5L192.1X1	407 110 120 490	60	156	2.9
130232.5L202.1X1	407 110 120 490	60	156	2.9
130232.5L282.1X1	407 110 120 490	60	156	2.9
130232.5L222.1X1	407 110 120 490	60	156	2.9
130232.5L232.1X1	407 110 120 490	60	156	2.9



OTHER PICTURES



Luminous flux tolerance +/- 10%.

Power tolerance +/- 5%.

Lighting beam, light intensity distribution and light efficiency were examined in accordance with the EN ISO 17025:2005 norm for EN13032 norm series and the LM-79 norm.

Please note that the standard luminaire is not intended for use in an environment with a high degree of salinity. If it is required to adapt the luminaire to work in such an environment, please contact our Sales Department to confirm the possibility of using an additional protective coating.

Up-to-date product info and General Warranty Terms available on our website www.luglightfactory.com

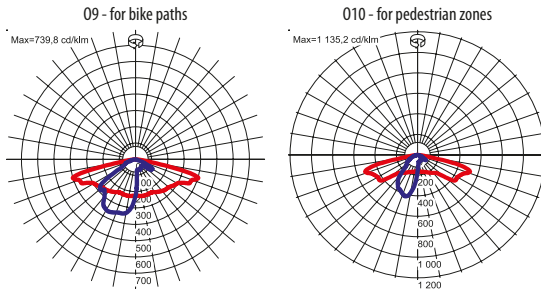
ACCESSORIES

150170.00817

Reducer 60/76 mm


 150170.00818
 150173.00906

Wall bracket ø60mm

LIGHT BEAM CURVES**WAY OF LIGHTING**

09 - for bike paths



010 - for pedestrian zones



Luminous flux tolerance +/- 10%.

Power tolerance +/- 5%.

Lighting beam, light intensity distribution and light efficiency were examined in accordance with the EN ISO 17025:2005 norm for EN13032 norm series and the LM-79 norm.

Please note that the standard luminaire is not intended for use in an environment with a high degree of salinity. If it is required to adapt the luminaire to work in such an environment, please contact our Sales Department to confirm the possibility of using an additional protective coating.

Up-to-date product info and General Warranty Terms available on our website www.luglightfactory.com