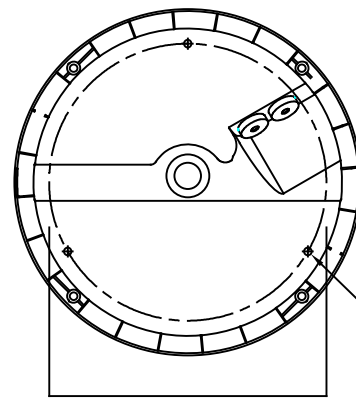


ø275



59



ø220 PCD

3 FIXING POINTS
EQUI SPACED