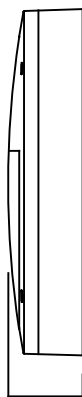
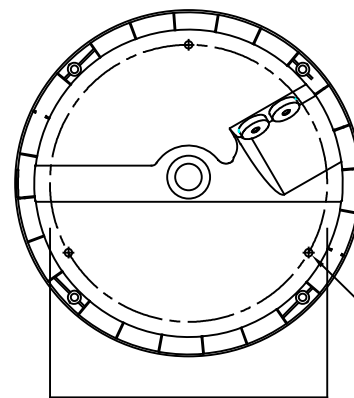


ø275



59



3 FIXING POINTS
EQUI SPACED

ø220 PCD